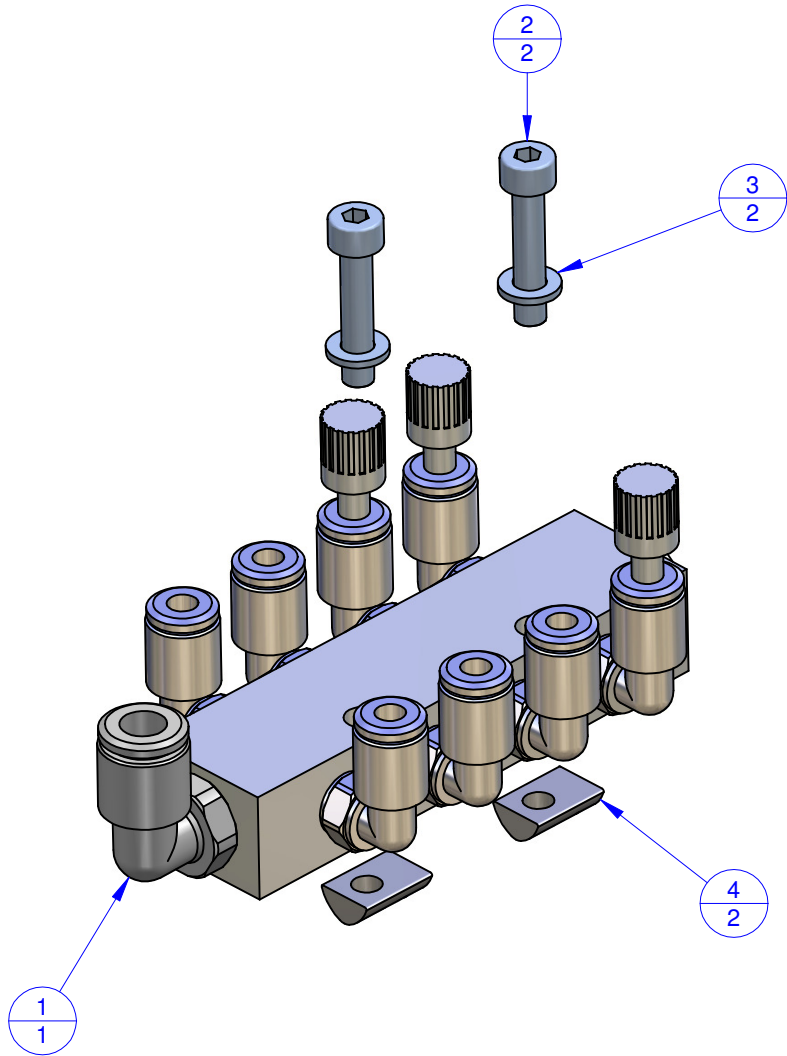


THE PROPERTY OF THIS DRAWING IS ESTABLISHED BY LAW
IT IS FORBIDDEN TO REPRODUCE IT OR SHOW IT TO THIRD PARTY
WITHOUT A WRITTEN AGREEMENT.

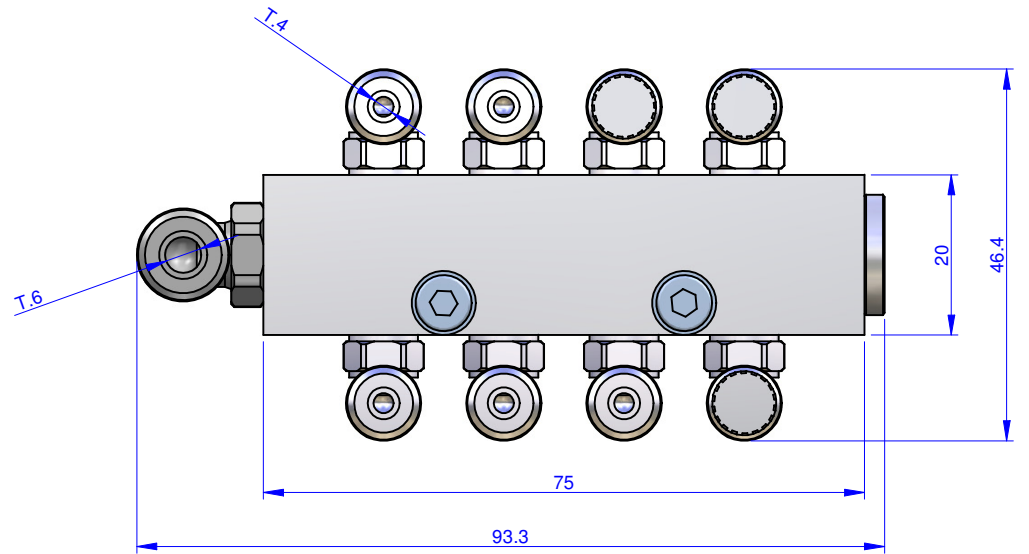
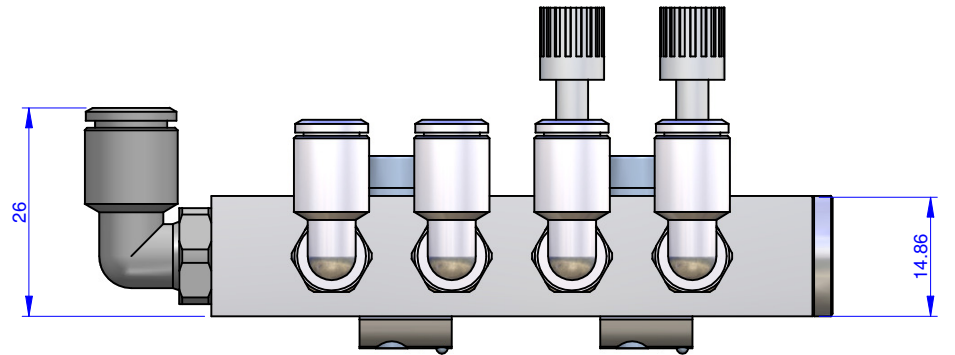
MODIFICATIONS: _____
 (7) _____ (10) _____
 (8) _____ (11) _____
 (9) _____ (12) _____

MODIFICATIONS: _____
 (1) _____ (4) _____
 (2) _____ (5) _____
 (3) _____ (6) _____

Format **A3**
 UNI 936-76



Object Number	Name	QTY
1	KIT.13.02.003	1
2	V.TCEI 4X20	2
3	R.4	2
4	CA.02.05.002	2



FP Services		DESIGNED FROM FPSERVICES	
		DATE 04/2014	WEIGHT 0,096 kg
GENERAL TOLERANCE: UNI - ISO 2768 CLASSE f		CODE KIT.13.02.003.5	

